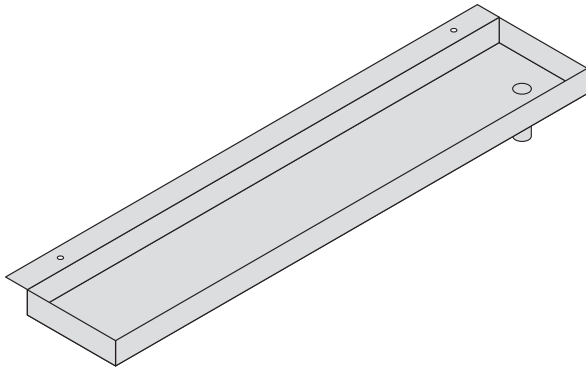


Drip Troughs

Stainless steel drip trough



<i>Features</i>	<i>Model number</i>	<i>Dimension</i>
• All stainless steel construction	HDT-18-2	18" x 2"
• Made from 20 gauge material	HDT-18-4	18" x 4"
• Type 304 stainless steel, #4 finish	HDT-20-2	20" x 2"
	HDT-20-4	20" x 4"
• 1" mounting flange	HDT-24-2	24" x 2"
• 1" deep trough	HDT-24-4	24" x 4"
• 3 ft flexible drain hose included	HDT-30-2	30" x 2"
	HDT-30-4	30" x 4"
	HDT-32-2	32" x 2"
	HDT-32-4	32" x 4"
	HDT-36-2	36" x 2"
	HDT-36-4	36" x 4"
	HDT-42-2	42" x 2"
	HDT-42-4	42" x 4"
	HDT-48-2	48" x 2"
	HDT-48-4	48" x 4"



INTER DYNE
SYSTEMS

Inter Dyne Systems, Inc.
676 Ellis Road, Norton Shores, MI 49441
Ph: 877.4ss.labs
www.interdynesystems.com