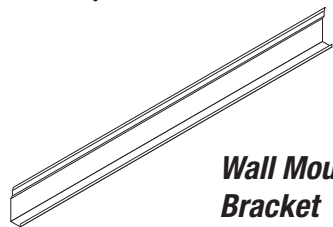
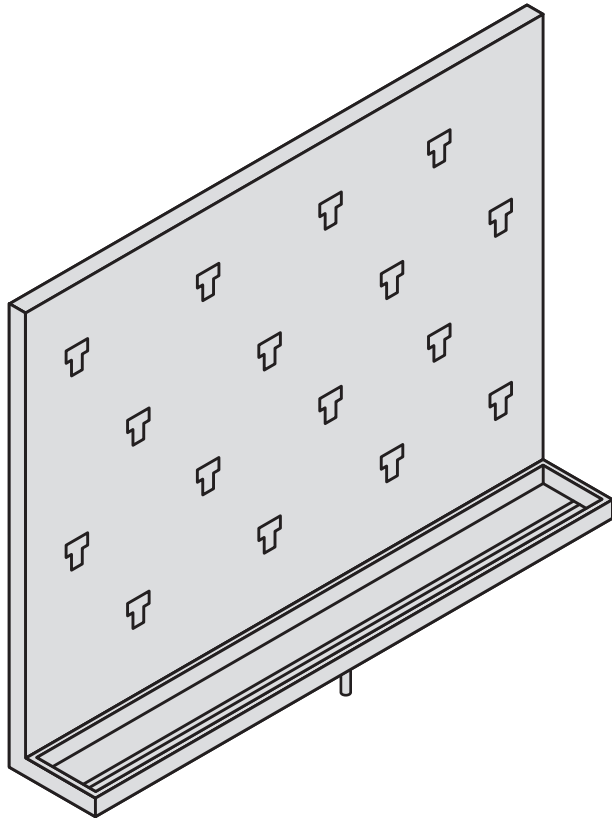


MOD-RACK™ stainless steel pegboard

Model # V2418



Wall Mount Bracket

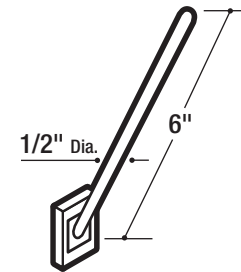
"V" Victoria Series

V series pegboards have a catch drain and integral drip trough in 2" or 4" depth. All drip troughs come with a 36" clear flexible drain tube.

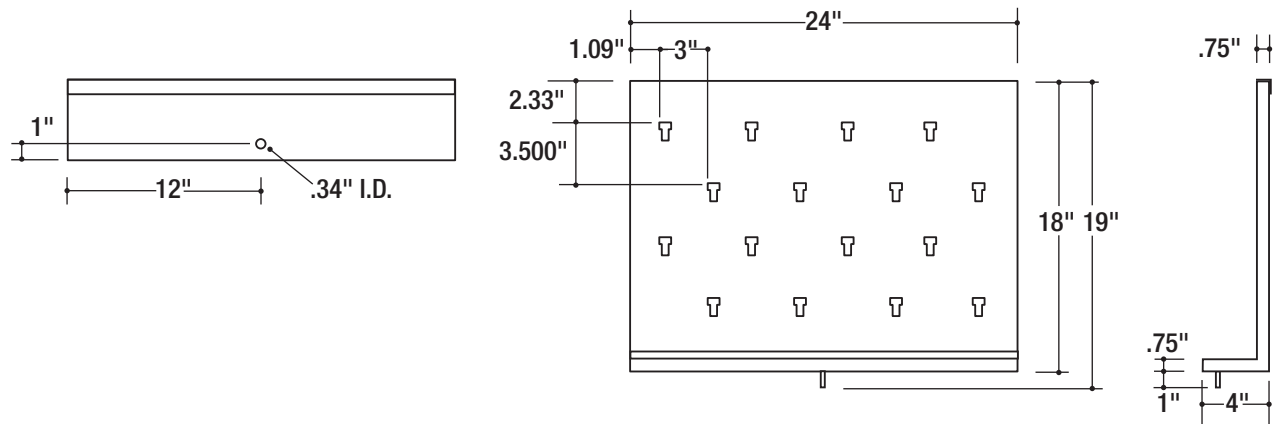
Features

- 24" w x 18" h x 3/4" d
- 16- 6" long 1/2" diameter white polypropylene pegs
- Autoclavable
- Constructed from 20 gauge, type 304 stainless steel, polished to a #4 finish.
- Wall mount bracket shipped with each pegboard.

Standard Peg



Product Dimensions



INTER DYNE
SYSTEMS

Inter Dyne Systems, Inc.
676 Ellis Road, Norton Shores, MI 49441
Ph: 877.4ss.labs
www.interdynesystems.com