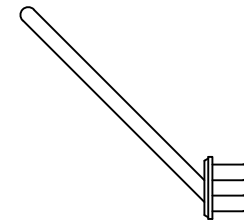
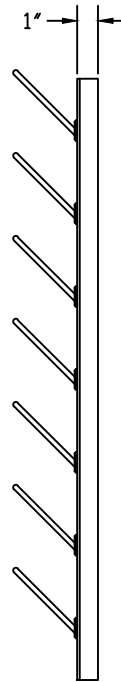
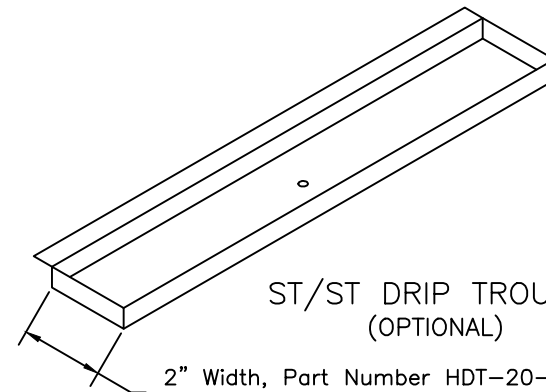


20"H x 29"W x 1" THICK  
 EPOXY RESIN PEGBOARD  
 W/ 32 PEGS  
 (ALSO AVAILABLE IN PHENOLIC RESIN)



PEG DETAIL  
 BLACK POLYPROPOLYENE  
 SCALE- 3X



ST/ST DRIP TROUGH  
 (OPTIONAL)

2" Width, Part Number HDT-20-2  
 4" Width, Part Number HDT-20-4

**PII PRIME industries, inc.**

[www.piiab.com](http://www.piiab.com)

PGBD2029 20" x 29" PEGBOARD

DATE: 8.31.97	REVISED: 4.3.13	DRAWING NUMBER: PGBD2029
---------------	-----------------	--------------------------