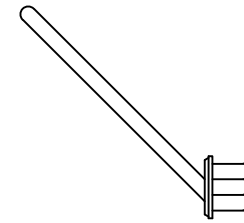
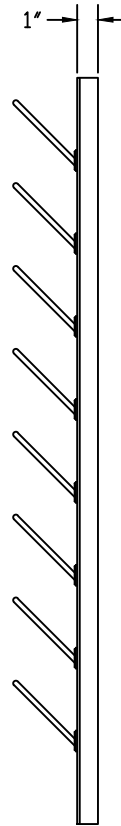
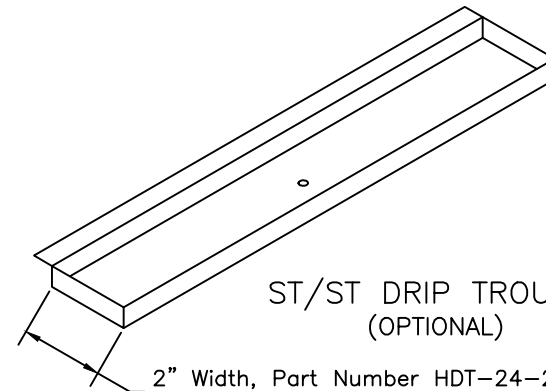


24"W x 36"H x 1" THICK
 EPOXY RESIN PEGBOARD
 W/ 44 PEGS
 (ALSO AVAILABLE IN PHENOLIC RESIN)



PEG DETAIL
 BLACK POLYPROPOLYENE
 SCALE- 3X



ST/ST DRIP TROUGH
 (OPTIONAL)

2" Width, Part Number HDT-24-2
 4" Width, Part Number HDT-24-4

PII PRIME industries, inc.

www.piiab.com

PGBD2436 24" x 36" PEGBOARD

DATE: 10.8.10

REVISED: 4.3.13

DRAWING NUMBER:
 PGBD2436