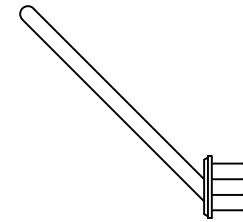
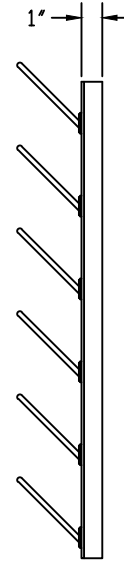
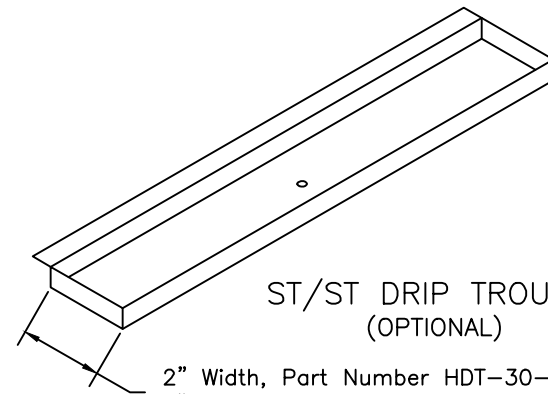


30"W x 24"H x 1" THICK  
 EPOXY RESIN PEGBOARD  
 W/ 39 PEGS  
 (ALSO AVAILABLE IN PHENOLIC RESIN)



PEG DETAIL  
 BLACK POLYPROPOLYENE  
 SCALE- 3X



ST/ST DRIP TROUGH  
 (OPTIONAL)

2" Width, Part Number HDT-30-2  
 4" Width, Part Number HDT-30-4

**Pii PRIME industries, inc.**

[www.piiab.com](http://www.piiab.com)

PGBD3024 30" x 24" PEGBOARD

DATE: 10.18.13	REVISED: 10.18.13	DRAWING NUMBER: PGBD3024
----------------	-------------------	--------------------------