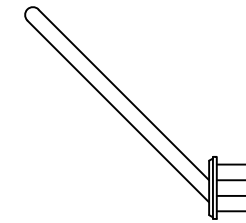
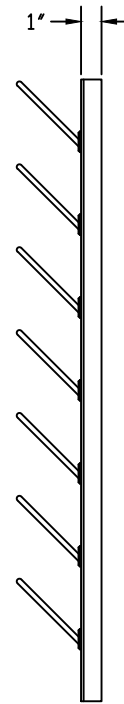
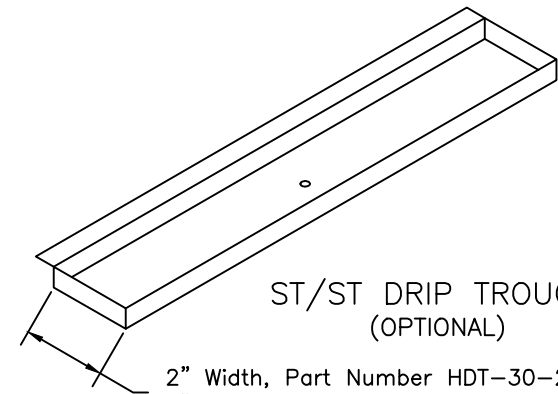


30"W x 30"H x 1" THICK
EPOXY RESIN PEGBOARD
W/ 46 PEGS
(ALSO AVAILABLE IN PHENOLIC RESIN)



PEG DETAIL
BLACK POLYPROPOLYENE
SCALE- 3X



ST/ST DRIP TROUGH
(OPTIONAL)
2" Width, Part Number HDT-30-2
4" Width, Part Number HDT-30-4

PII PRIME industries, inc.

www.piiab.com

PGBD3030 30" x 30" PEGBOARD

DATE: 8.31.97	REVISED: 4.3/13	DRAWING NUMBER: PGBD3030
---------------	-----------------	--------------------------