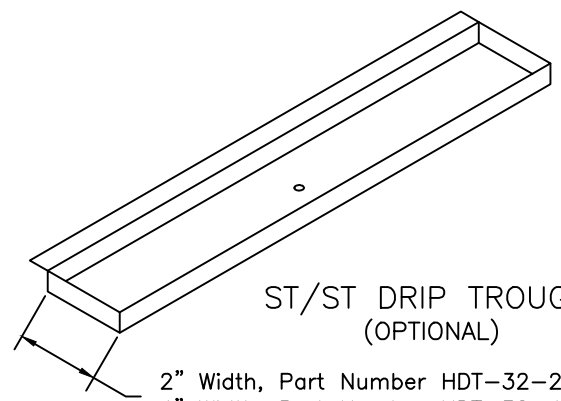


PEG DETAIL
BLACK POLYPROPOLYENE
SCALE- 3X



ST/ST DRIP TROUGH
(OPTIONAL)
2" Width, Part Number HDT-32-2
4" Width, Part Number HDT-32-4

32"W x 30"H x 1" THICK
EPOXY RESIN PEGBOARD
W/ 53 PEGS
(ALSO AVAILABLE IN PHENOLIC RESIN)

Pii PRIME industries, inc. www.piiilab.com		
PGBD3230 32" x 30" PEGBOARD		
DATE: 8.31.97	REVISED: 4.3.13	DRAWING NUMBER: PGBD3230