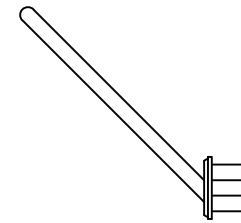
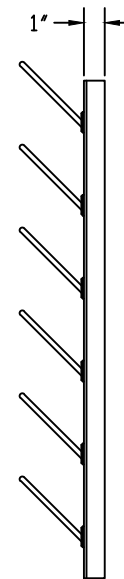
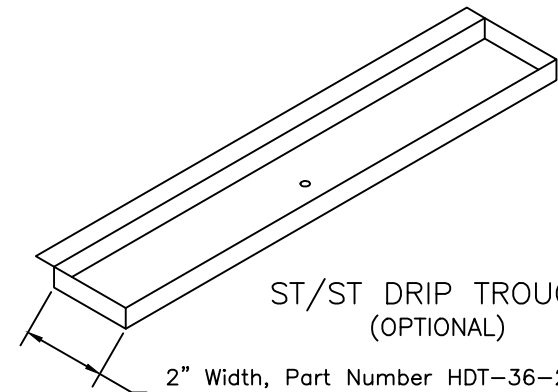


36"W x 24"H x 1" THICK
 EPOXY RESIN PEGBOARD
 W/ 51 PEGS
 (ALSO AVAILABLE IN PHENOLIC RESIN)



PEG DETAIL
 BLACK POLYPROPOLYENE
 SCALE- 3X



ST/ST DRIP TROUGH
 (OPTIONAL)
 2" Width, Part Number HDT-36-2
 4" Width, Part Number HDT-36-4

Pii PRIME industries, inc.

www.piiab.com

PGBD3624 36" x 24" PEGBOARD

DATE: 10.18.13	REVISED: 10.18.13	DRAWING NUMBER: PGBD3624
----------------	-------------------	--------------------------