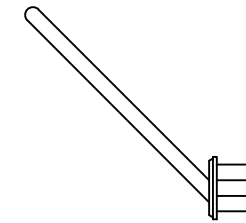
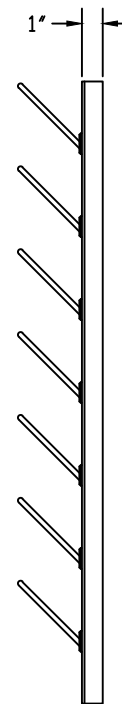
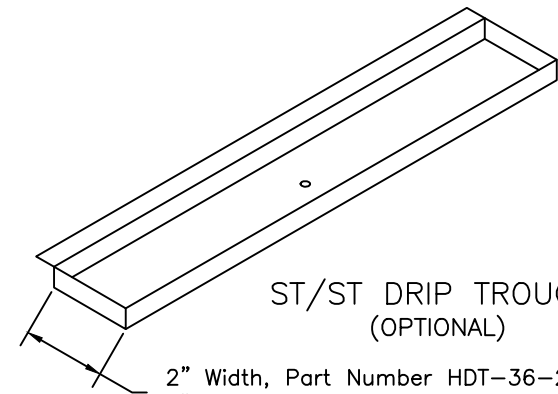


36"W x 30"H x 1" THICK
 EPOXY RESIN PEGBOARD
 W/ 60 PEGS
 (ALSO AVAILABLE IN PHENOLIC RESIN)



PEG DETAIL
 BLACK POLYPROPOLYENE
 SCALE- 3X



ST/ST DRIP TROUGH
 (OPTIONAL)
 2" Width, Part Number HDT-36-2
 4" Width, Part Number HDT-36-4

PII PRIME industries, inc.

www.piiilab.com

PGBD3630 36" x 30" PEGBOARD

DATE: 10.8.10	REVISED: 4.1.13	DRAWING NUMBER: PGBD3630
---------------	-----------------	-----------------------------