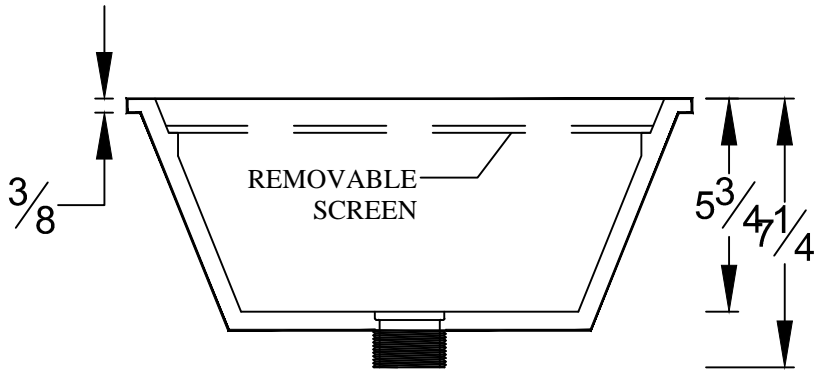
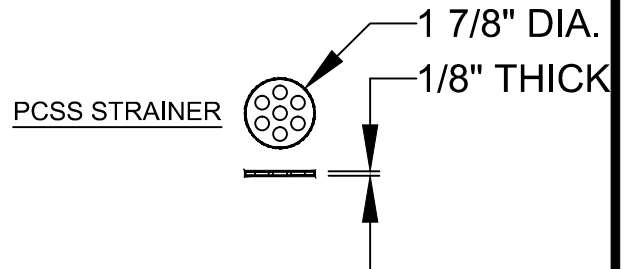


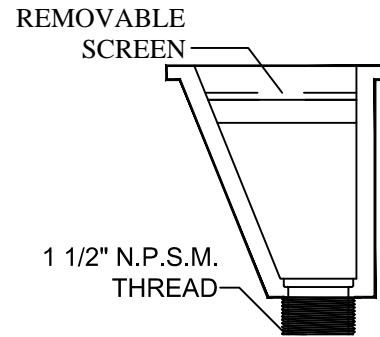
TOP VIEW

SCREEN -
 TYPE 316 STAINLESS STEEL SQUARE
 MESH #14 WIRE CLOTH, .025 WIRE

FRAME -
 .019 WIRE



SECTION VIEW



SECTION VIEW
 (FRONT TO BACK)

SINK MOLDED FROM EPOXY RESIN

SINK COLOR:

BLACK - OTHER: _____

Pii PRIME industries inc.

4611 Main St.
 Lisle, IL 60532
 ph: 630/725-9200 - fax: 630/725-9201
 www.piiab.com

THIS SINK SHIPS FROM
 TAYLOR, TX 76574

REV. DATE
 12/12/14

WEIGHT
 5 lbs.

SINK MODEL
 PCS145