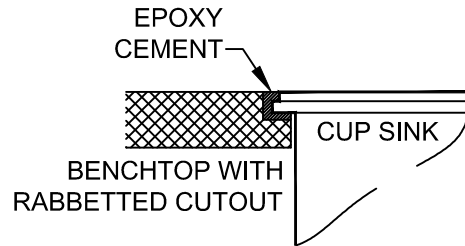
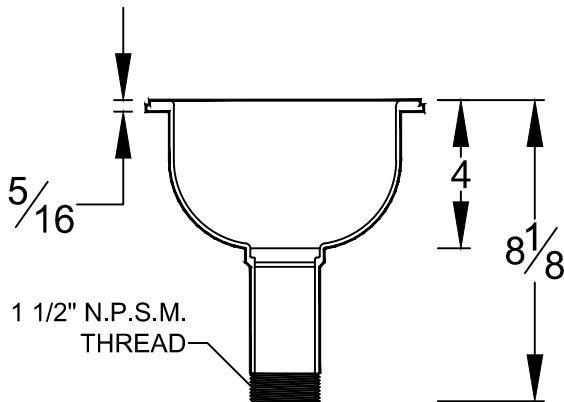


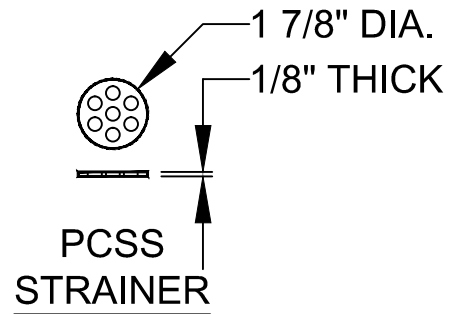
TOP VIEW



INSTALLATION  
DETAIL



SECTION VIEW



PCSS  
STRAINER

SINK MOLDED FROM POLYPROPYLENE

SINK COLOR:

BLACK -  OTHER: \_\_\_\_\_

***Pii PRIME industries inc.***

THIS SINK SHIPS FROM  
TAYLOR, TX 76574

4611 Main St.  
Lisle, IL 60532  
ph: 630/725-9200 - fax: 630/725-9201  
www.piilab.com

REV. DATE  
12/12/14

WEIGHT  
3 lbs.

SINK MODEL  
PCS4R