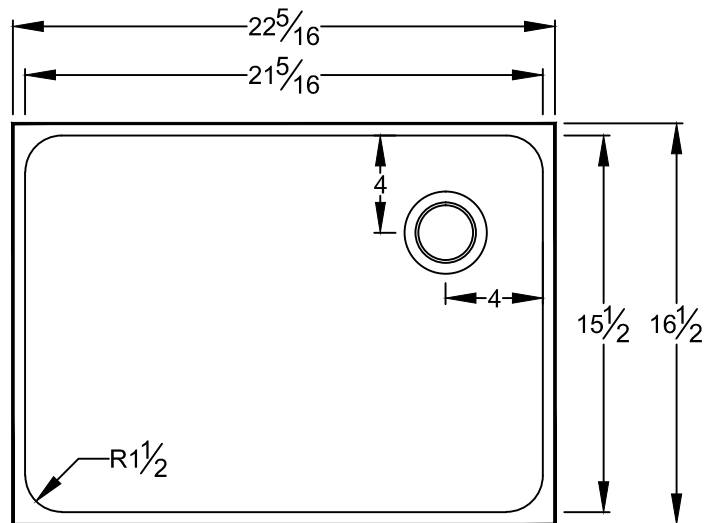


SECTION VIEW



TOP VIEW

SINK MOLDED FROM EPOXY RESIN

SINK COLOR:

BLACK - OTHER: _____

Pii PRIME industries inc.

4611 Main St.
 Lisle, IL 60532
 ph: 630/725-9200 - fax: 630/725-9201
 www.piilab.com

THIS SINK SHIPS FROM
 TAYLOR, TX 76574

REV. DATE
 12/11/14

WEIGHT
 60 lbs.

SINK MODEL
 P40