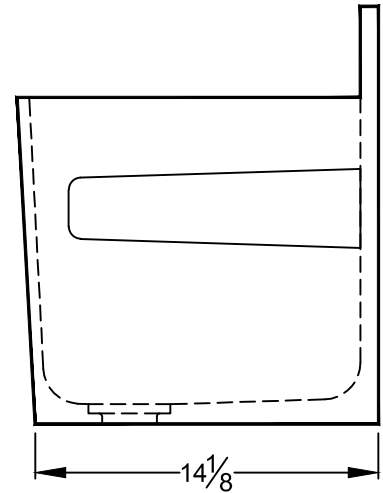
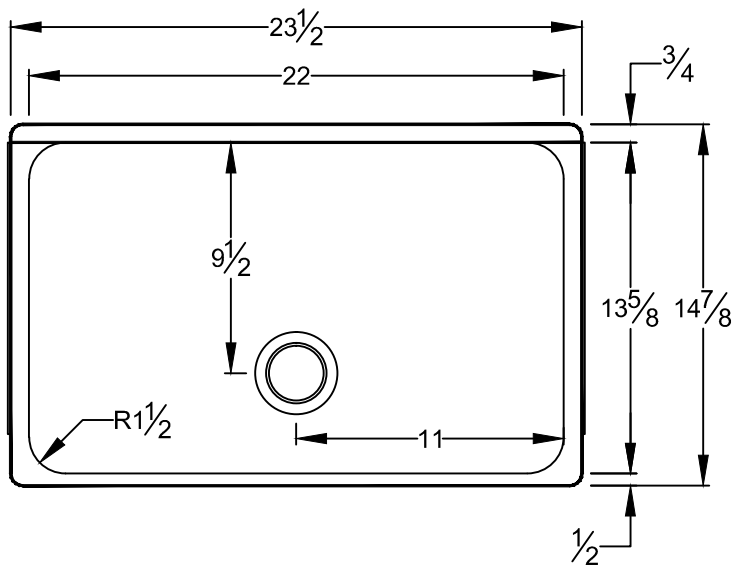


SECTION VIEW



SIDE VIEW



TOP VIEW

SINK MOLDED FROM EPOXY RESIN

SINK COLOR:

BLACK - OTHER: _____

Pii PRIME industries inc.

THIS SINK SHIPS FROM
TAYLOR, TX 76574

4611 Main St.
Lisle, IL 60532
ph: 630/725-9200 - fax: 630/725-9201
www.piiilab.com

REV. DATE
2/4/16

WEIGHT
77 lbs.

SINK MODEL
P46E