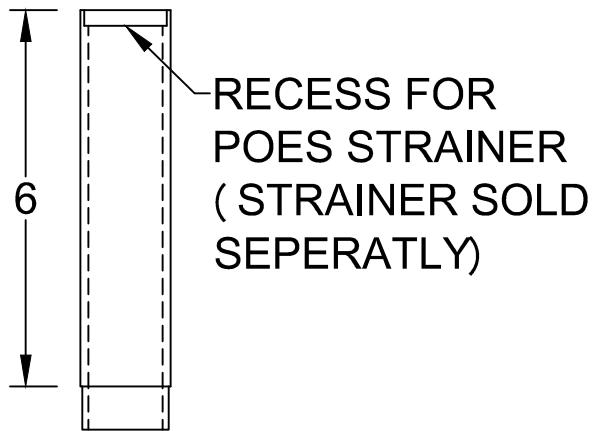
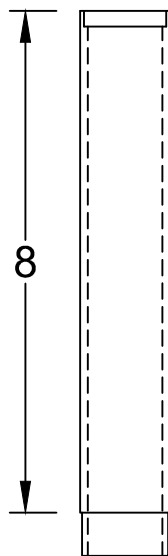


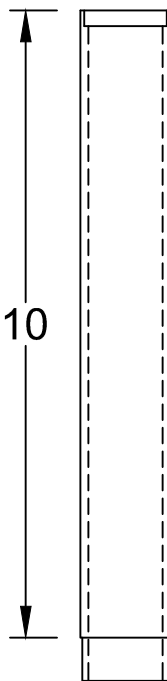
POF14



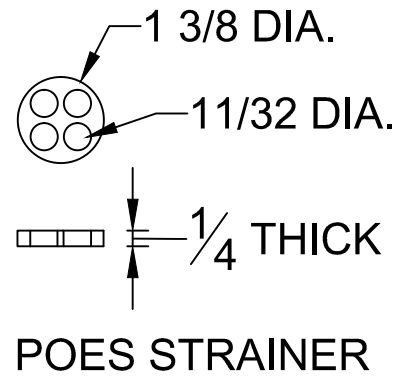
POF16



POF18



POF110



POES STRAINER

MOLDED FROM BLACK  
POLYPROPYLENE

SINK OVERFLOW

THIS SINK SHIPS FROM  
TAYLOR, TX 76574

**Pii PRIME industries inc.**

4611 Main St.  
Lisle, IL 60532  
ph: 630/725-9200 - fax: 630/725-9201  
www.piilab.com

REV. DATE	WEIGHT	MODEL #
12/12/14	4 oz.	POF1