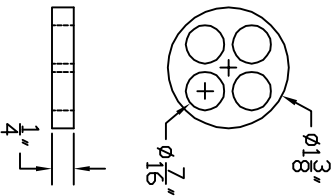
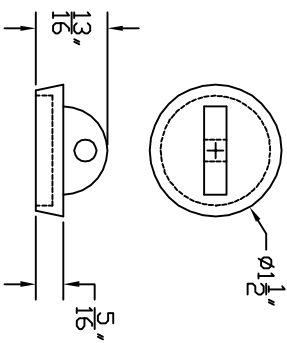


SINK OUTLET

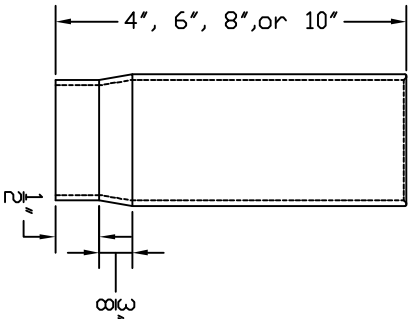
PSO-3R SINK OUTLET  
WITH INTEGRAL TAILPIECE  
SCALE - 2X



STRAINER



PSS-2R STOPPER



POF-1  
4, 6, 8, or 10

SO-3R SINK OUTLET  
INSTALLATION BULLETIN  
USE RECOMMENDED MASTIC FOR INSTALLING  
THE SO-3R SINK OUTLET IN SINKS  
The recommended mastic for installing all SO-3 Sink Outlets  
in sinks has been determined to be either RTV Silicone,  
Plumbers Putty, or some other chemical and solvent resistant  
non-rigid set mastic.  
EPOXY CEMENT IS NOT RECOMMENDED

**PII PRIME industries, inc.**  
www.piidb.com

SINK FITTINGS

DATE: 9.7.97

REVISED: 4.1.13

DRAWING NUMBER:  
SINK FITTINGS