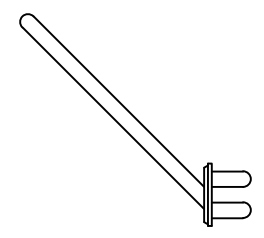
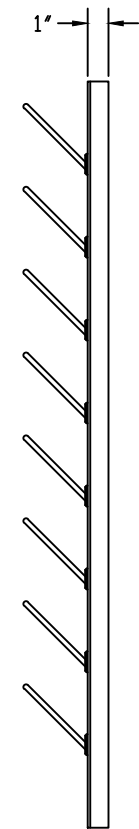
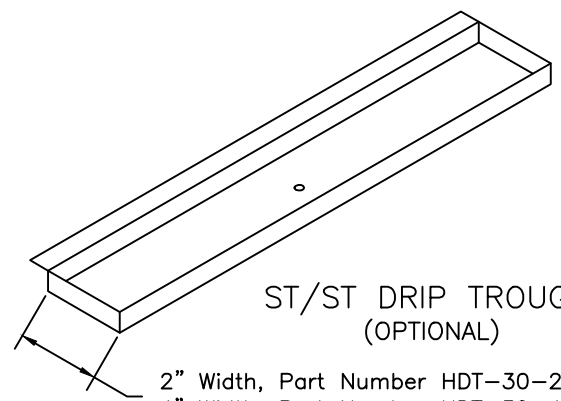


30"W x 36"H x 1" THICK
 EPOXY RESIN PEGBOARD
 W/ 56 PEGS
 (ALSO AVAILABLE IN PHENOLIC RESIN)



PEG DETAIL
 BLACK POLYPROPOLYENE
 SCALE- 3X



ST/ST DRIP TROUGH
 (OPTIONAL)
 2" Width, Part Number HDT-30-2
 4" Width, Part Number HDT-30-4

<i>Pii</i> PRIME industries, inc.		
www.piiab.com		
PGBD3036 30" x 36" PEGBOARD		
DATE: 8.31.97	REVISED: 4.3.13	DRAWING NUMBER: PGBD3036