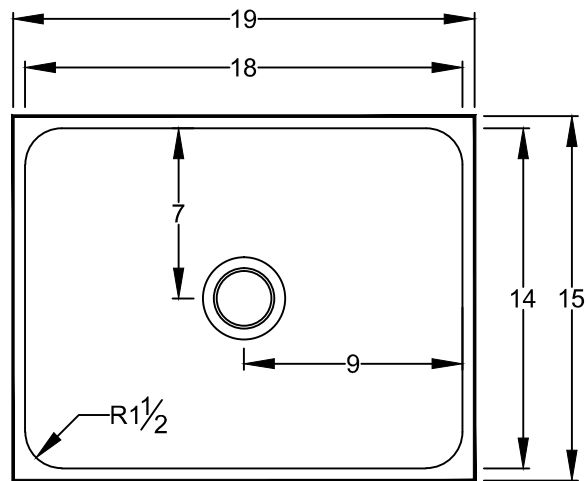


SECTION VIEW



TOP VIEW

SINK MOLDED FROM EPOXY RESIN

SINK COLOR:

BLACK - OTHER: _____

Pii PRIME industries inc.

THIS SINK SHIPS FROM
TAYLOR, TX 76574

4611 Main St.
Lisle, IL 60532
ph: 630/725-9200 - fax: 630/725-9201
www.piilab.com

REV. DATE	WEIGHT	SINK MODEL
12/11/14	38 lbs.	P24